

1

2

3

4

5

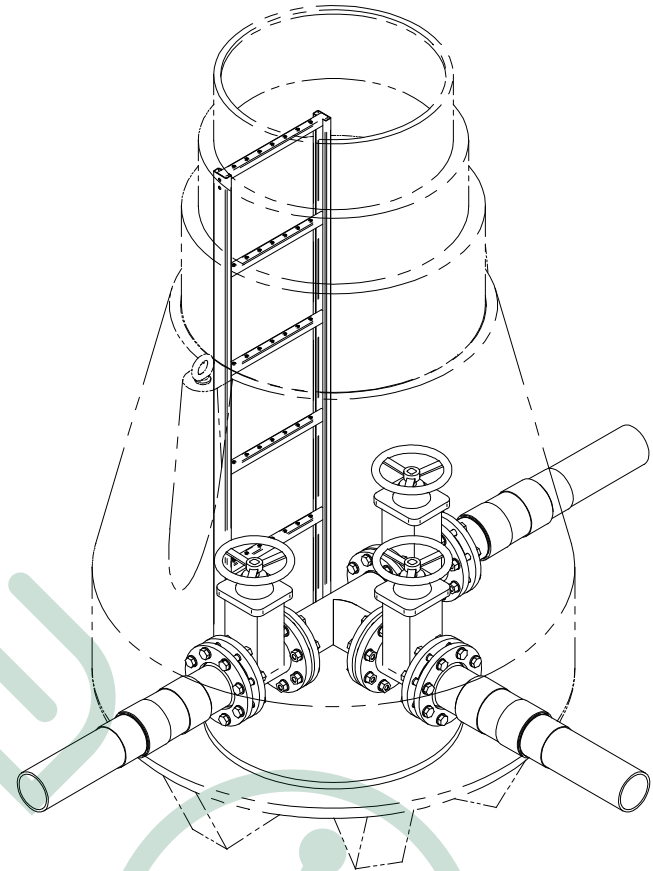
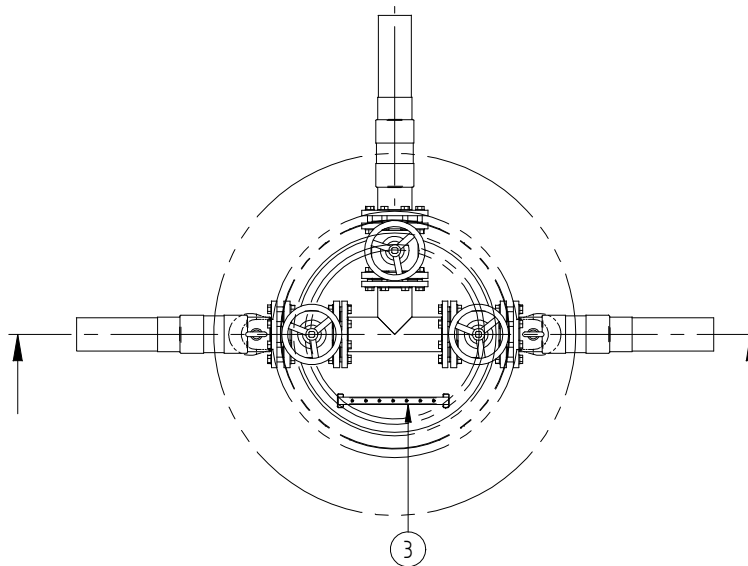
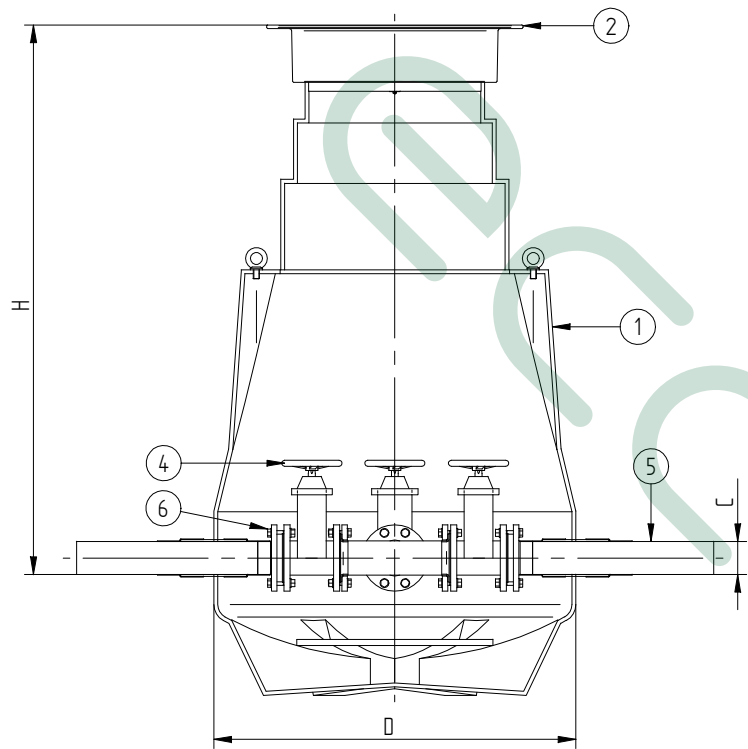
6

A


B

C

D



Pos.	Name	Technical data	Quantity
1	Body	PE	1
2	Cover, insulated	DI / PE	1
3	Ladder, anti-slip	AISI316	1
4	Components		
5	Pipes	AISI304 / PE	
6	Bolt connection	Zn / AISI304	

Date	Enjin.	Signature	Sheets	Well for service valve	
				Name	
eccua 					Rv
			Mass	Number	