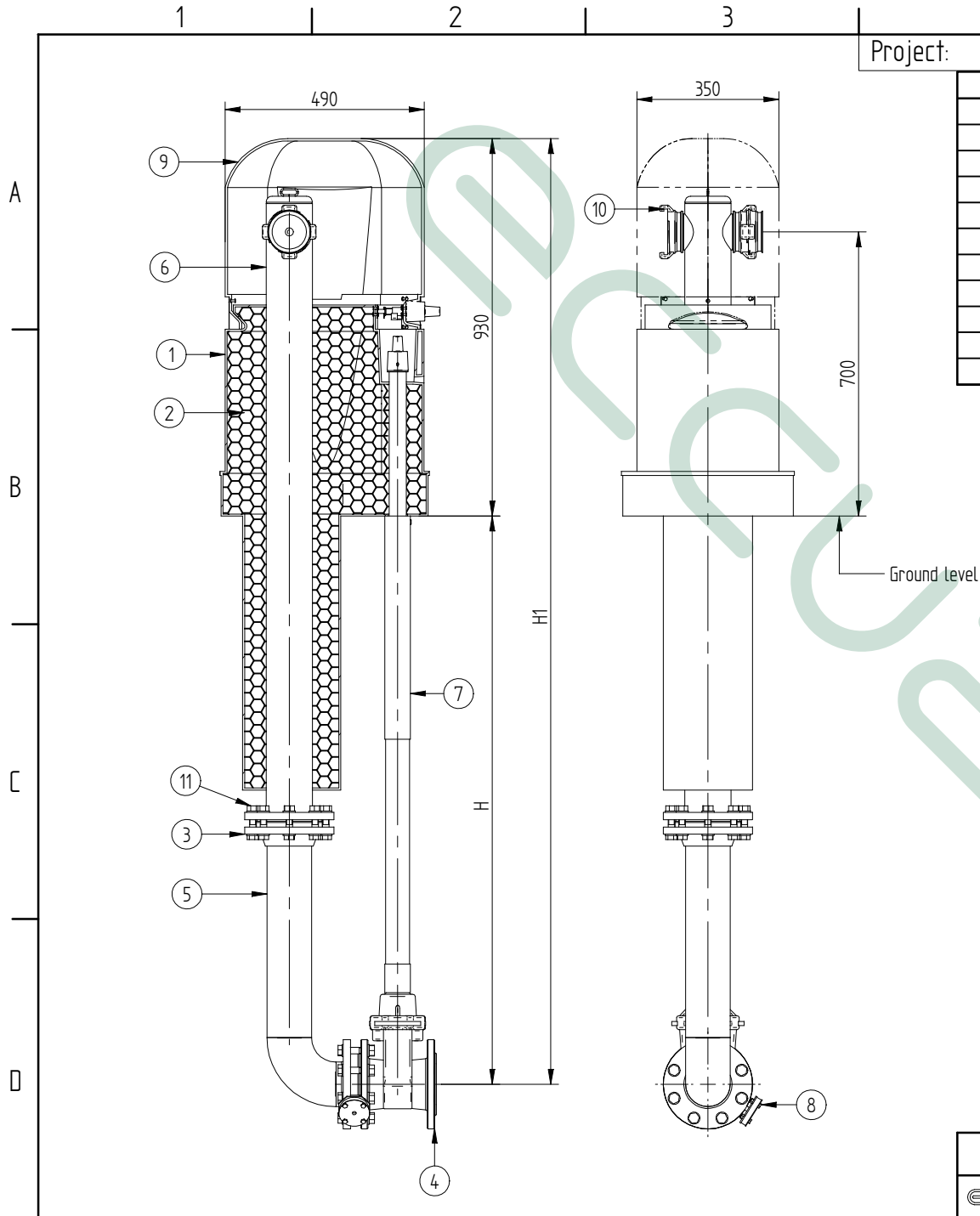



Project:

Pos.	Nimetus	Tehnilised andmed	Kogus
1	Body	PE	1
2	Insulation	Styrofoam	1
3	Flange adaptor, restraint	GGG, DN	1
4	Gate valve	GGG, DN	1
5	Stand pipe	PE, DN	1
6	Stand pipe	AISI304, DN	1
7	Spindle extension	PE - galv. steel	1
8	Drainage valve, automatic	POM - EPDM	1
9	Cover	PE	1
10	Coupling	GOST28352-89	1 / 2
11	Bolt connection	Steel, galvanized	

DN

	Installation height H	Total height H1
	1100..1400	2050..2350
	1400..1700	2350..2650
	1700..2000	2650..2950
	2000..2300	2950..3250
	2300..2600	3250..3550



Date	Enjin.	Signature	Sheets	Pillar telescopic hydrant	
				Name	
eccua 				Rv	
				Number	