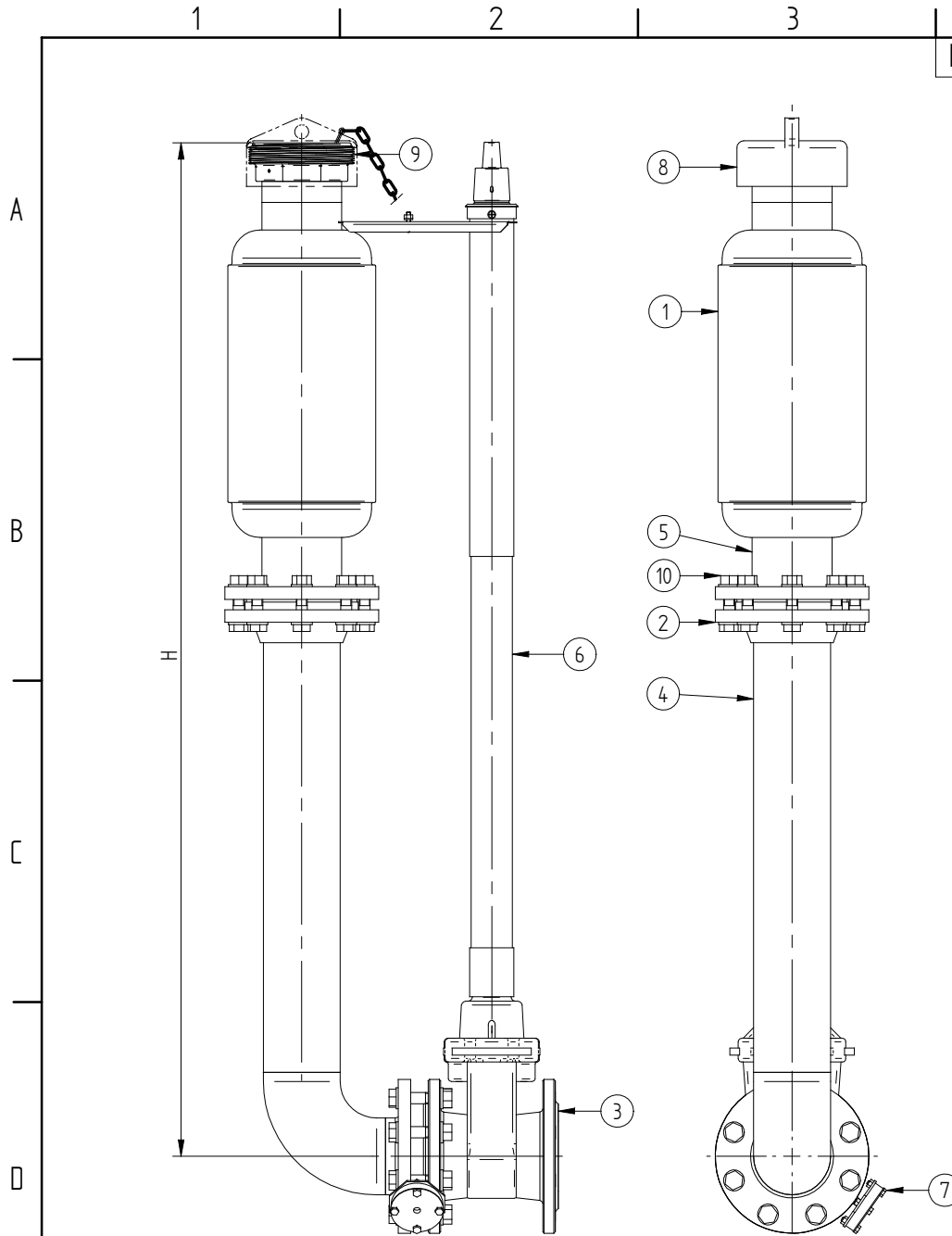



Project:

Pos.	Nimetus	Tehnilised andmed	Kogus
1	Insulation	PE - Styrofoam	1
2	Flange adaptor, restraint	GGG, DN	1
3	Gate valve	GGG, DN	1
4	Stand pipe	PE, DN	1
5	Stand pipe	AISI304, DN	1
6	Spindle extension	PE - galv. steel	1
7	Drainage valve, automatic	POM - EPDM	1
8	Cover	PE	1
9	Outlet connection	Brass	1
10	Bolt connection	Steel, galvanized	

DN

Height H
1150..1450
1450..1750
1750..2050
2050..2350
2350..2650



Date	Enjin.	Signature	Sheets	Underground telescopic hydrant	
				Name	Rv
eccua 				Number	