

1

2

3

4

5

6

Project:

Pos.	Nimetus	Tehnilised andmed	Kogus
1	Insulation	PE - Styrofoam	1
2	Gate valve	GGG, DN	1
3	Stand pipe	AISI304, DN	1
4	Spindle extension	PE - galv. steel	1
5	Drainage valve, automatic	POM - EPDM	1
6	Cover	PE	1
7	Outlet connection	Brass	1
8	Bolt connection	Steel, galvanized	

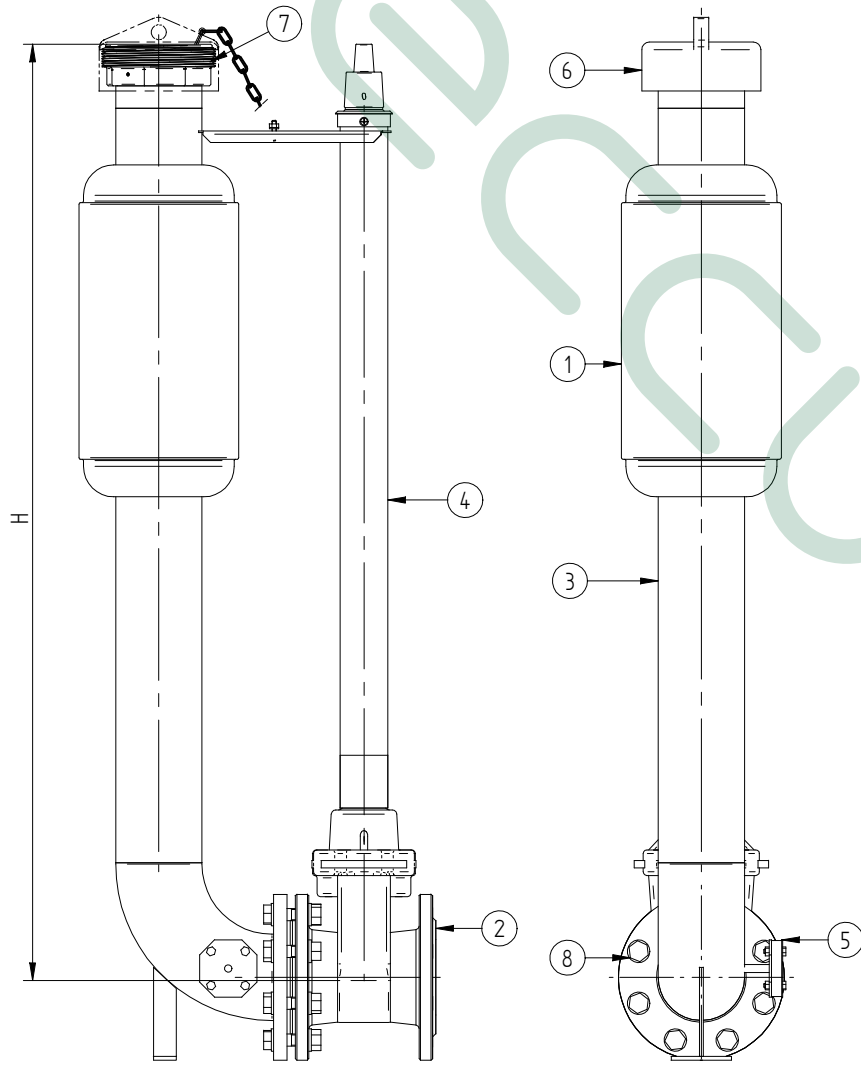
DN	
Height H	


A

B

C

D



Date	Enjin.	Signature	Sheets	Underground fixed hydrant	
				Name	
eccua 					
				Rv	
				Number	

All rights reserved.