

1

2

3

4

5

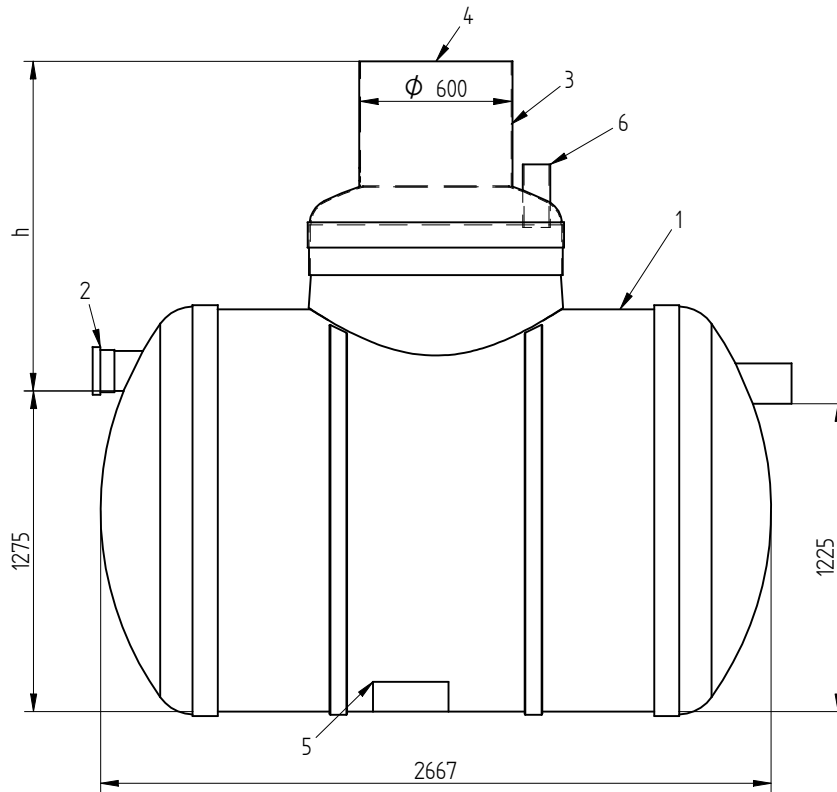
6

A

B

C

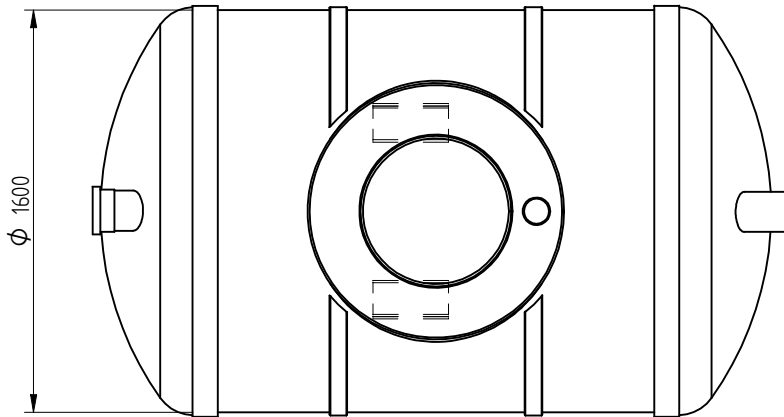
D




h= inlet pipe height from the ground.

h= _____ mm (standard height 1300mm)

Notes: _____



Pos.	Name	Technical data	Measures	Quantity
1	Body	GRP	Ø1600, L=2667	1
2	Inlet Pipe	PVC	Ø160	1
3	Manhole	GRP	Ø600	1
4	Cover (choose one)	Plastic	Ø600	
		DI	Ø600	
5	Support leg	GRP		2
6	Ventilation pipe	PVC	Ø110	1

Date	Engin.	Signature	Sheets	Sand-Mud separator 4m3	
eccua 				Mass	Rv