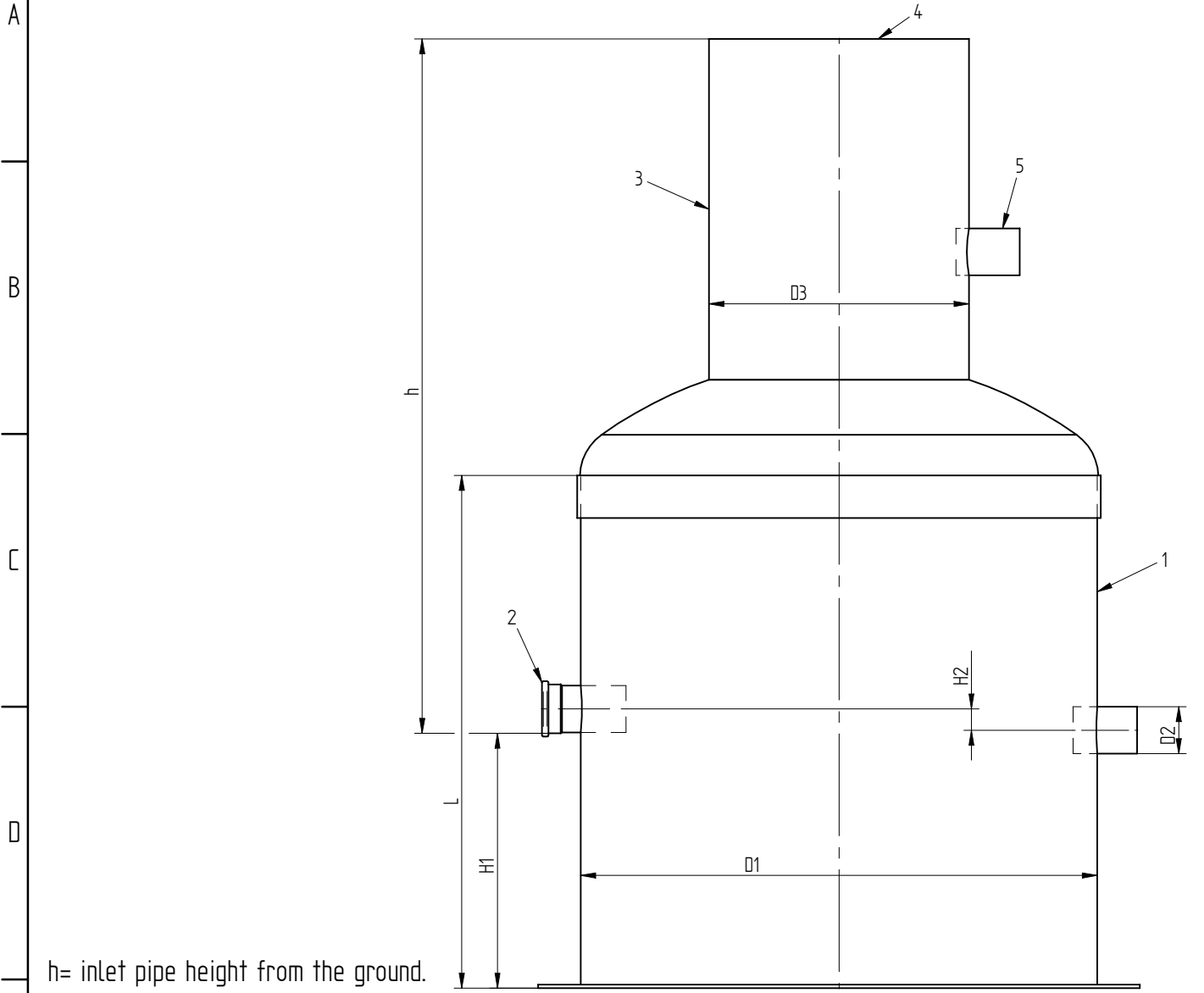


| Type | L | H1 | H2 | D1 | D2 | D3 |
|------|------|-----|----|------|-----------------|-----|
| 600 | 1200 | 600 | 50 | 1200 | 110;160;200;250 | 600 |
| 1000 | 1300 | 950 | 50 | 1200 | 110;160;200;250 | 600 |
| 1500 | 1300 | 800 | 50 | 1600 | 110;160;200;250 | 600 |



h= inlet pipe height from the ground.
h= _____ mm (standard height 1300mm)

Notes: _____

| Pos. | Name | Technical data | Measures | Quantity |
|------|--------------------|----------------|-------------------|----------|
| 1 | Body | GRP | according to type | 1 |
| 2 | Inlet Pipe | PVC | D110;160;200;250 | 1 |
| 3 | Manhole | GRP | D600 | 1 |
| 4 | Cover (choose one) | Plastic | D600 | |
| | | DI | D600 | |
| 5 | Ventilation pipe | PVC | D110 | 1 |

| | | | | | |
|------|--------|-----------|--------|------------------------------|----|
| Date | Engin. | Signature | Sheets | Sand-Mud separator 0,6-1,5m3 | |
| Name | | | | Mass | Rv |
| | | | | Number | |