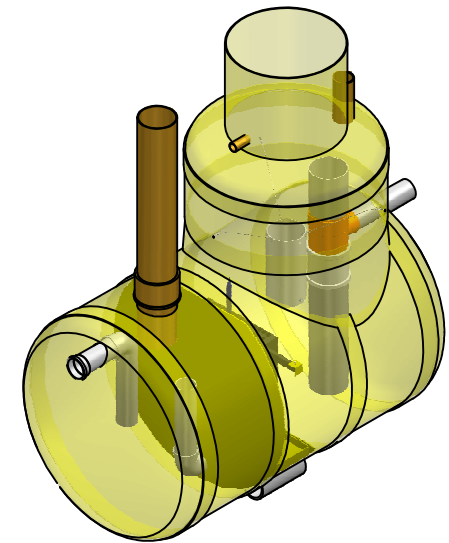
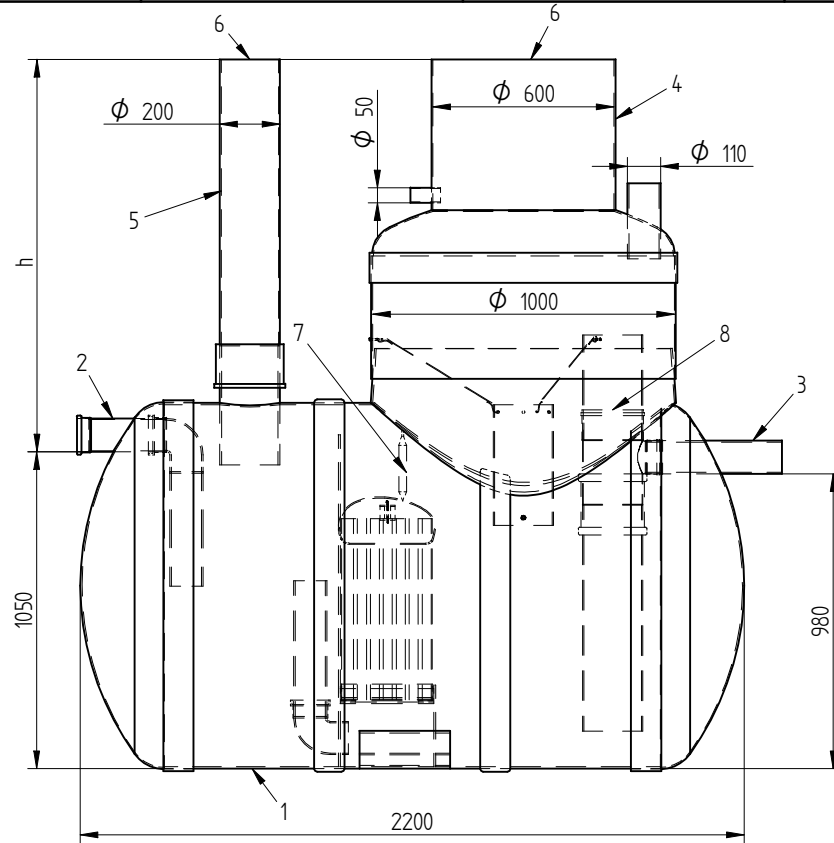


A

B

C

D



$h$  = inlet pipe height from the ground.

$h$  = \_\_\_\_\_ mm (standard height 1300mm)

Notes: \_\_\_\_\_  
 \_\_\_\_\_  
 \_\_\_\_\_

Pos.	Name	Technical data	Measures	Quantity
1	Body	GRP	$\phi 1200$ , L=2200	1
2	Inlet Pipe	PVC	$\phi 110$	1
3	Outlet Pipe	PVC	$\phi 110$	1
4	Manhole	GRP	$\phi 1000/\phi 600$	1
5	Manhole	PVC	$\phi 200$	1
6	Cover (choose one)	Plastic	$\phi 600$ ; $\phi 200$	
		DI	$\phi 600$ ; $\phi 200$	
7	Alarm device			
8	Sampling Tee	PVC	$\phi 200$	1

Date		Enjin.	Signature	Sheets	OIL Separator 1class NS3	
eccua				Mass	Number	Rv