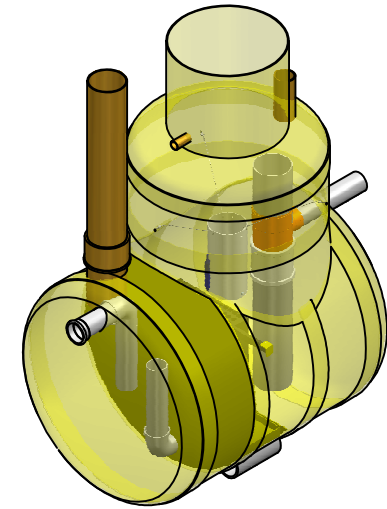
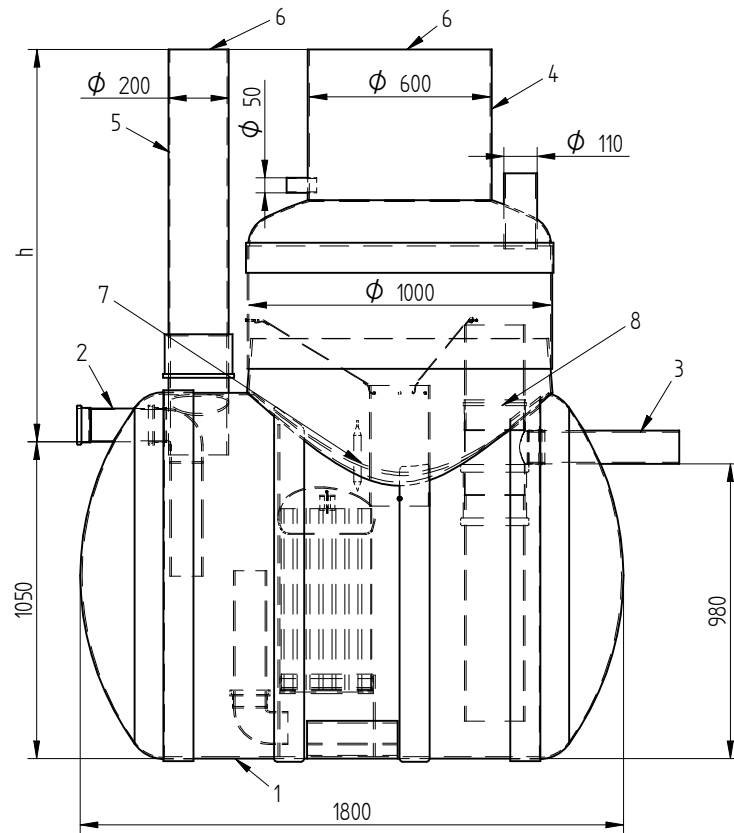


A

B

C

D



h= inlet pipe height from the ground.

h= _____ mm (standard height 1300mm)

Notes: _____

Pos.	Name	Technical data	Measures	Quantity
1	Body	GRP	Ø1200, L=1800	1
2	Inlet Pipe	PVC	Ø110	1
3	Outlet Pipe	PVC	Ø110	1
4	Manhole	GRP	Ø1000/Ø600	1
5	Manhole	PVC	Ø200	1
6	Cover (choose one)	Plastic	Ø600; Ø200	
		ØI	Ø600; Ø200	
7	Alarm device			
8	Sampling Tee	PVC	Ø200	1

Date	Enjin.	Signature	Sheets	OIL Separator 1class NS1,5	
				Name	
eccua 				Mass	Rv
				Number	