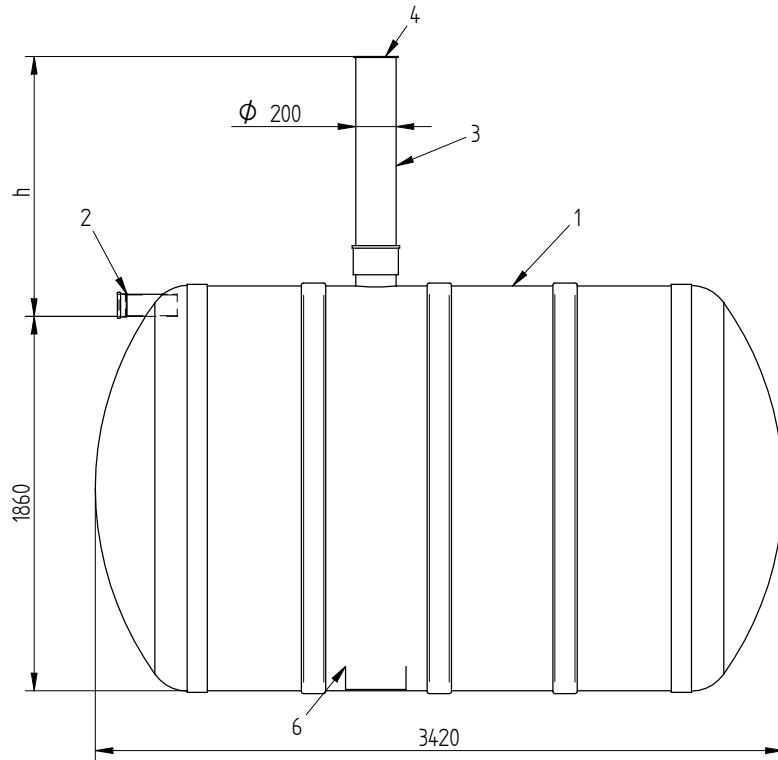


A



B

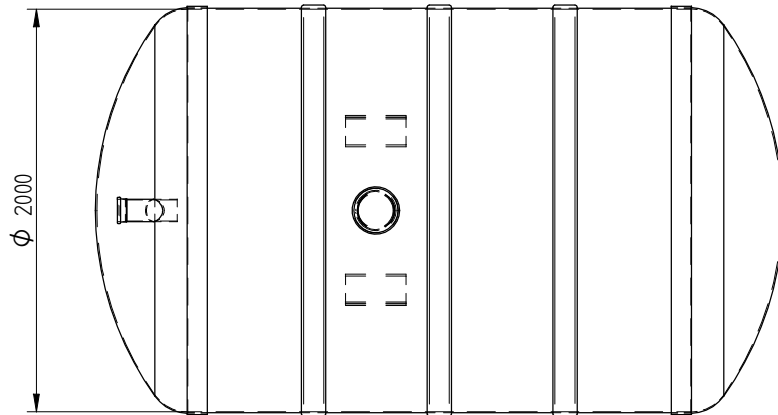
h= inlet pipe height from the ground.

h= _____ mm (standard height 1300mm)

Bundled: two anchoring-belts..


Notes: _____

C



D

Pos.	Name	Technical data	Measures	Quantity
1	Tank Body	GRP	∅2000, L=3420	1
2	Inlet Pipe	PVC	∅110	1
3	Manhole	PVC	∅200	1
4	Cover (choose one)	Plastic	∅200	
		DI	∅200	
5	Overfilling alarmsystem (if you need)			1
6	Support leg			2

Date		Enjin.	Signature	Sheets	Tank 10m3	
					Name	
eccua 					Mass	Rv

Mass

Number