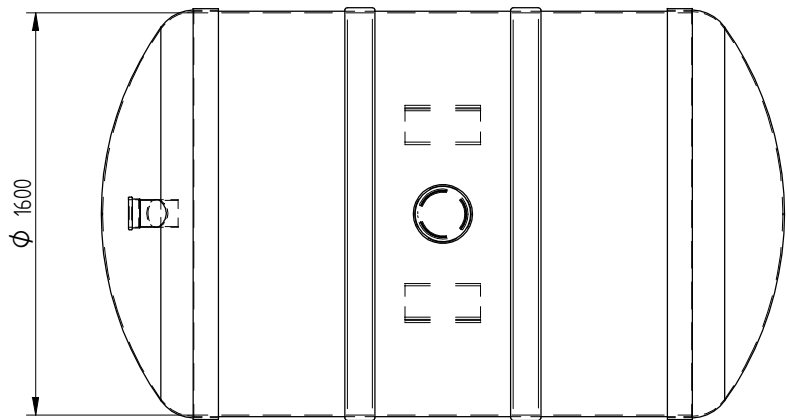
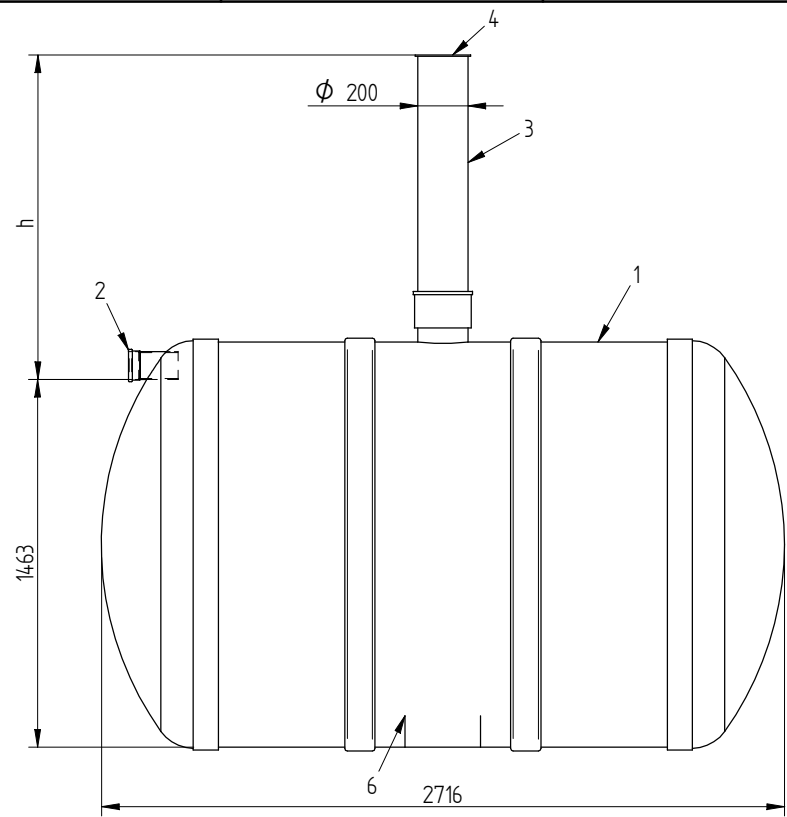


A

B

C

D




$h$ = inlet pipe height from the ground.

$h$ = \_\_\_\_\_ mm (standard height 1300mm)

Bundled: two anchoring-belts..

Notes: \_\_\_\_\_  
 \_\_\_\_\_  
 \_\_\_\_\_

Pos.	Name	Technical data	Measures	Quantity
1	Tank Body	GRP	$\phi 1600$ , L=2716	1
2	Inlet Pipe	PVC	$\phi 110$	1
3	Manhole	PVC	$\phi 200$	1
4	Cover (choose one)	Plastic	$\phi 200$	
		DI	$\phi 200$	
5	Overfilling alarmsystem (if you need)			1
6	Support leg			2

Date		Enjin.	Signature	Sheets	Tank 5m3	
				Name		Rv
eccua 				Mass	Number	