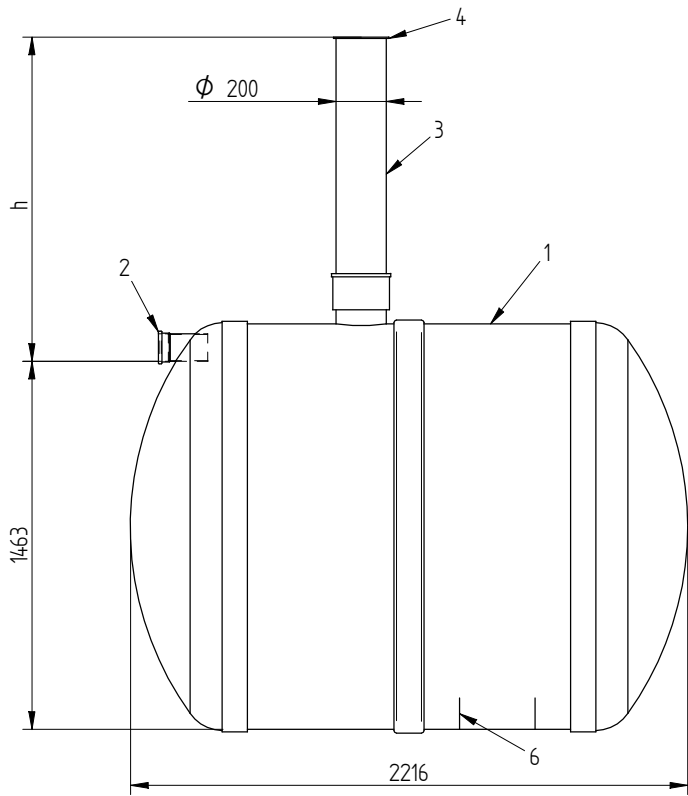


A



B

h= inlet pipe height from the ground.

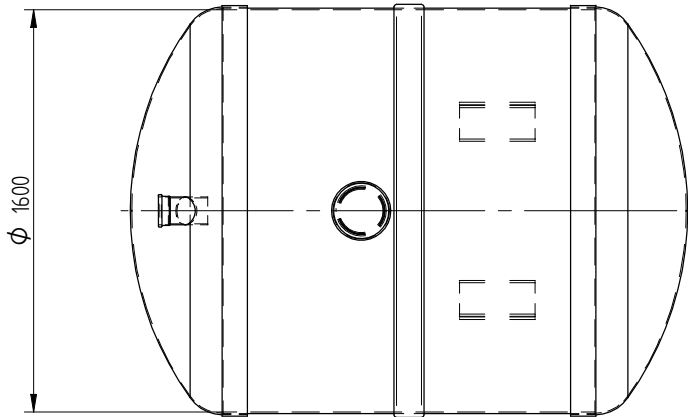
h= \_\_\_\_\_ mm (standard height 1300mm)

Bundled: two anchoring-belts..

Notes: \_\_\_\_\_

\_\_\_\_\_  
 \_\_\_\_\_

C



D

Pos.	Name	Technical data	Measures	Quantity
1	Tank Body	GRP	Ø1600, L=2216	1
2	Inlet Pipe	PVC	Ø110	1
3	Manhole	PVC	Ø200	1
4	Cover (choose one)	Plastic	Ø200	
		ØI	Ø200	
5	Overfilling alarmsystem (if you need)			1
6	Support leg			2

Date		Enjin.	Signature	Sheets	Tank 4m3	
					Name	
eccua				Mass	Number	Rv