

1

2

3

4

5

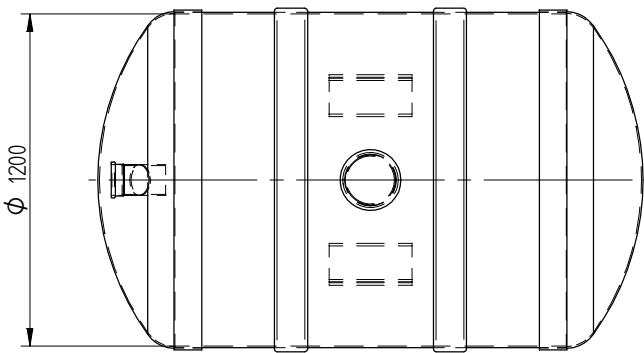
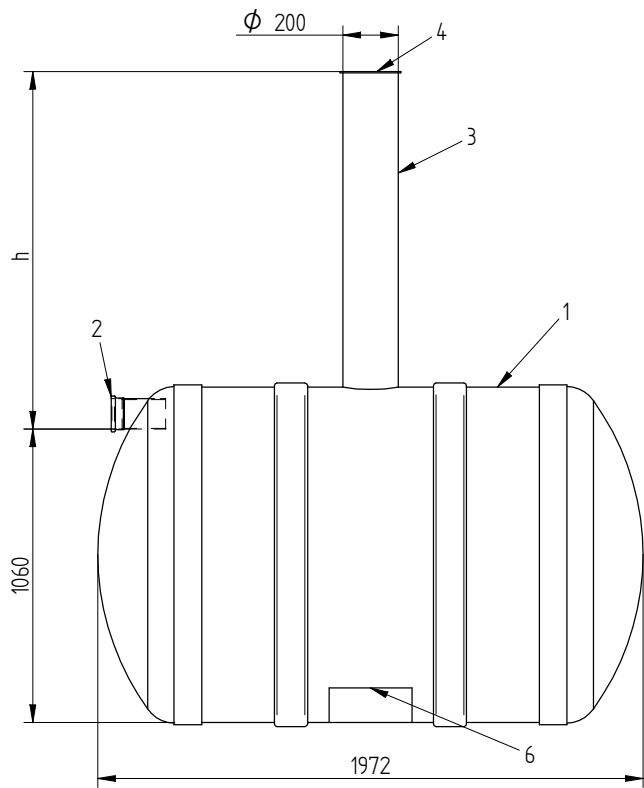
6

A

B

C

D



h= inlet pipe height from the ground.

h= _____ mm (standard height 1300mm)

Bundled: two anchoring-belts..

Notes: _____

Pos.	Name	Technical data	Measures	Quantity
1	Tank Body	GRP	Ø1200, L=1972	1
2	Inlet Pipe	PVC	Ø110	1
3	Manhole	PVC	Ø200	1
4	Cover (choose one)	Plastic	Ø200	
		DI	Ø200	
5	Overfilling alarmsystem (if you need)			1
6	Support leg			2

Date		Enjin.	Signature	Sheets	Tank 2m3	
					Name	
eccua				Mass		Rv
				Number		