

ECCUA VALVE MANHOLE

Application:

The valve manhole is used for opening and closing parts of water supply and sewage pipelines.

Eccua valve manhole is in compliant with standard EVS-EN 13598-2:2009

Optional accessories:

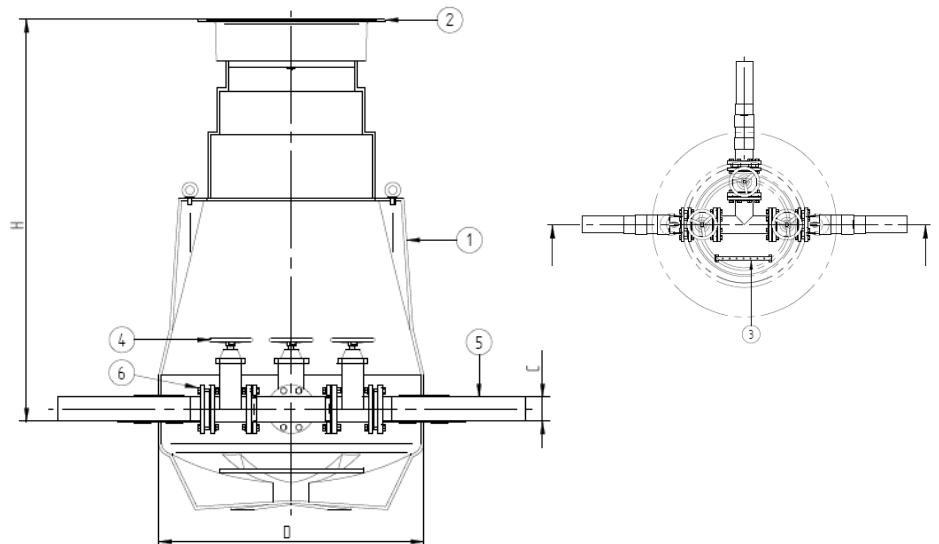
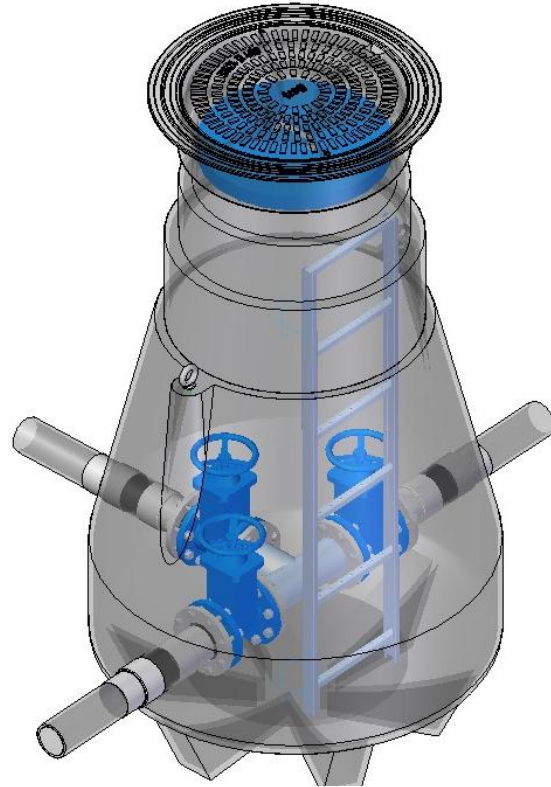
- Corrosion resistant pipeline
- Plastic pipeline
- Cast iron tees, crosses

Materials:

Self-anchored well body: - PEHD
 Hatch: - cast iron / plastic
 Insulated hatch: - Styrofoam
 Pipeline: - AISI304 / plastic,
 depending on pipeline dimensions

- Standard depth of the pipeline: 1800 mm

- Pipeline: DN50...DN300



The construction, materials and technical data specified herein may be changed under our product improvement programme.



The product is sold by:

Eccua OÜ, Harku tee 3560, Tabasalu, Estonia
 phone: +372 622 8050, myyk@eccua.ee

Eccua SIA, Ganību dambis 17a, Rīga, Latvia
 phone: +371 67 383 441

Eccua UAB, Kulautuvos g. 20, Kaunas, Lithuania
 phone: +370 37 338 460

www.eccua.ee

Item No.	Item	Technical data
1	Well body	PE
2	Insulated hatch	cast iron/plastic
3	Slip proof ladder	AISI316
4	Pipeline components	
5	Outlet pipeline	AISI304/PE
6	Bolted flange joint	Zn/AISI304