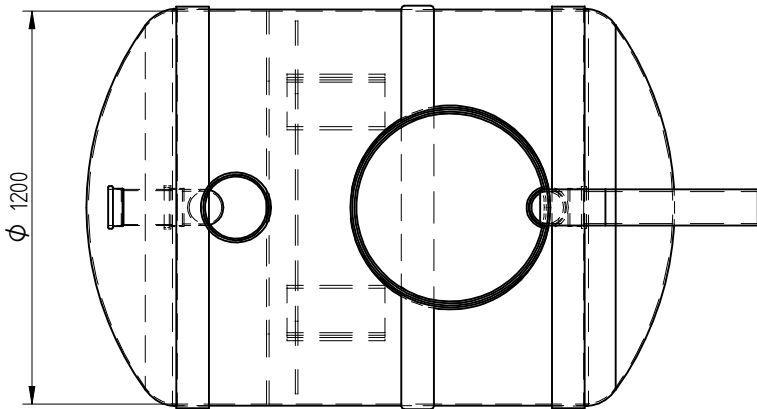
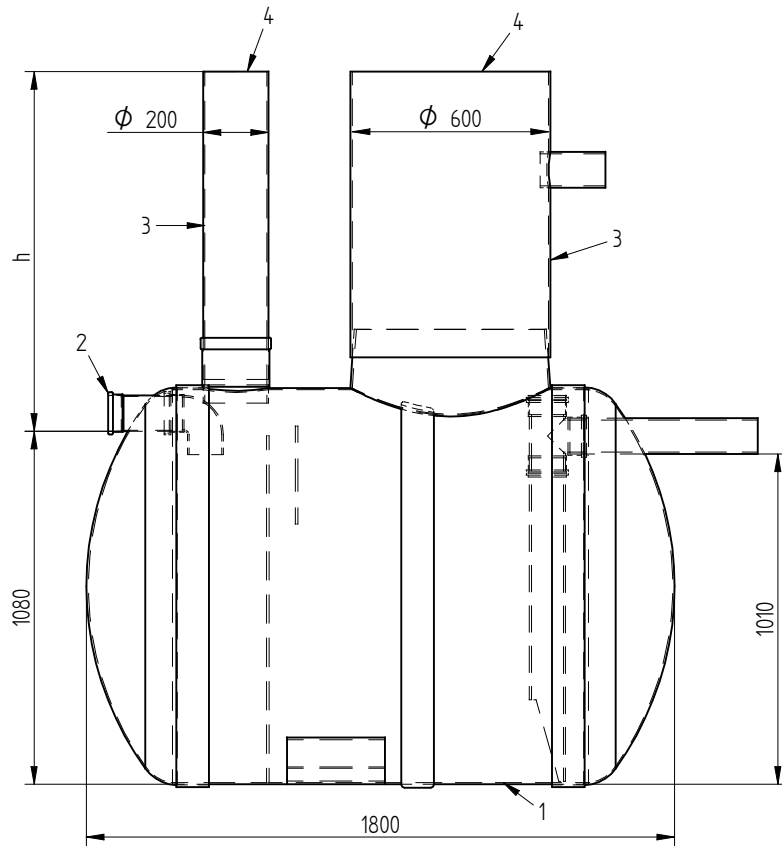


A

B

C

D




h= inlet pipe height from the ground.

h= _____ mm (standard height 1300mm)

Notes: _____

Pos.	Name	Technical data	Measures	Quantity
1	Body	GRP	∅1200, L=1800	1
2	Inlet Pipe	PVC	∅110	1
3	Manhole	PVC, GRP	∅200, ∅600	1
4	Cover (choose one)	Plastic	∅200, ∅600	
		DI	∅200, ∅600	

Date	Enjin.	Signature	Sheets	Grease separator NS4	
				Name	
eccua 				Mass	Rv
				Number	