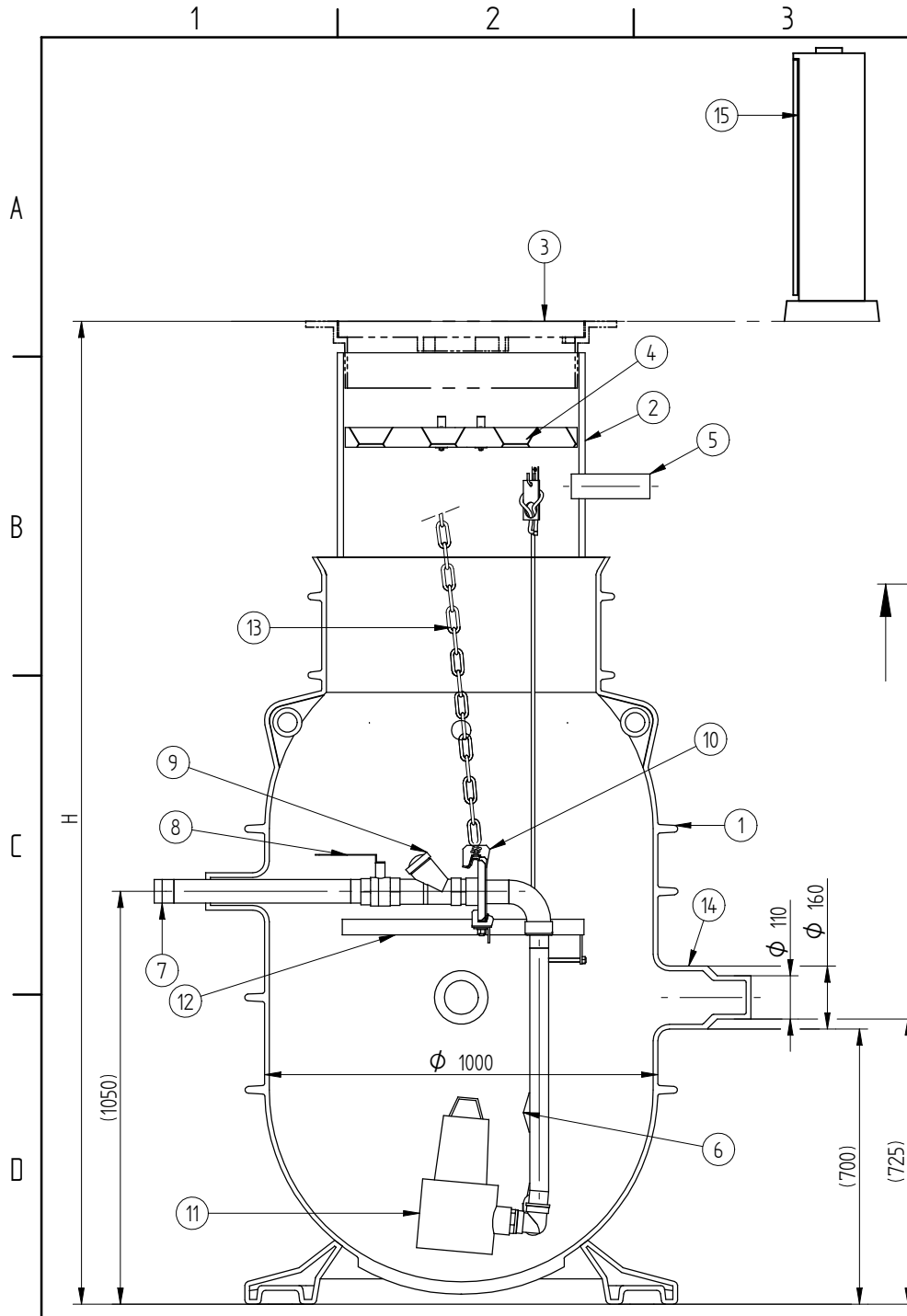
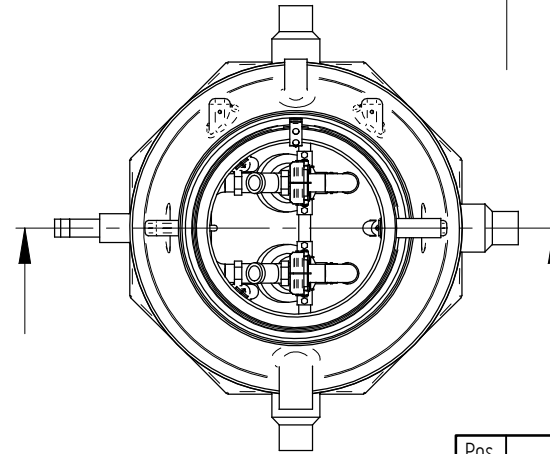


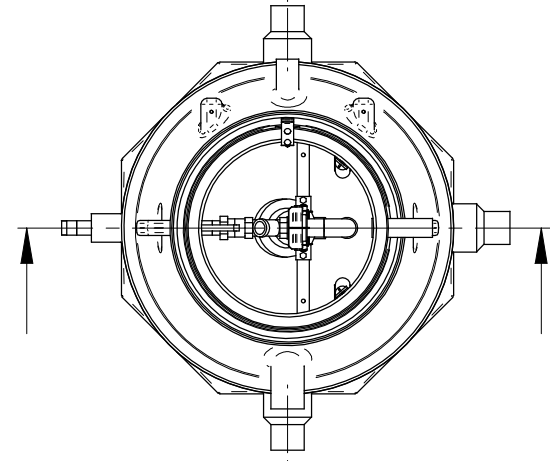
Project:



With two pumps



With one pump



Ventilation pipe D110 is included.

PS height, H	
2200	
2500	
3000	
3500	

Pos.	Name	Techn. data	Qnt.
1	Body	PE	1
2	Manhole	PE	1
3	Cover	DI	1
4	Manhole insulation	Styrofoam	1
5	Bushing pipe for cable	PE, D63	1
6	Switch key	PDM	2 / 3
7	Discharge pipe	AISI304, DN50	1
8	Ball valve	Brass	1
9	Check valve	GGG	1 / 2
10	Discharge connection	AISI304	1 / 2
11	Pump	Q= l/s, H= m	1 / 2
12	Discharge connection console	AISI304	1
13	Pump lifting chain	AISI316	1 / 2
14	Inlet	D110 / D160	3
15	Control box		1

Date	Enjin.	Signature	Sheets	Self-anchoring pumping station "Walter"	
eccua				Name	
				Number	Rv