



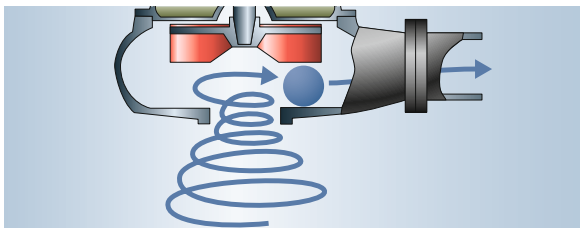
Flygt D 8200

SUBMERSIBLE VORTEX PUMPS

Non-clogging vortex design

Flygt vortex pumps are designed for reliability. The impeller does not require adjustment and runs freely in the volute, providing free flow-through passage of solids and liquids. This completely eliminates the risk of jamming and low performance that results from faulty impeller adjustments and wear. Plus maintenance is reduced to an absolute minimum.

The high quality and unmatched performance of the Flygt D 8200 submersible vortex pump comes from Xylem, the world-leading manufacturer and supplier of submersible pumps.



The powerful pumping action of the vortex impeller enables easy passage of liquids and solids.

Engineered for demanding environments, the Flygt D 8200 easily transports media for municipal sewage, industrial wastewater and a wide range of other applications. All components are specially designed and manufactured to optimize operation and prolong pump service life.

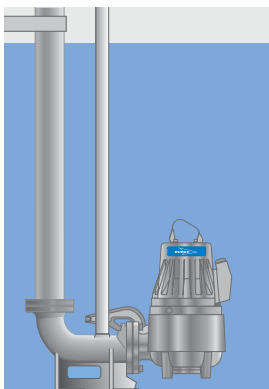
The Flygt D 8200 has very low maintenance requirements due to reduced radial forces on the impeller, which enables operation at very low flows or shut off for extended periods of time without damage. The Flygt D 8200 vortex pump series complements the Flygt 3000 range of small and medium-sized pumps.

Options

- 20-meter cable
- Explosion-proof version
- Voltages:
 - 380V or 415V for three-phase version
 - 220V and 240V for single-phase version

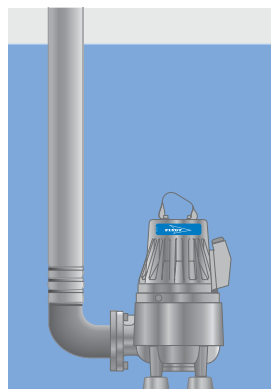
Methods of installation

DP



For semi-permanent wet well installations. The pump is installed with twin guide bars on a discharge connection.

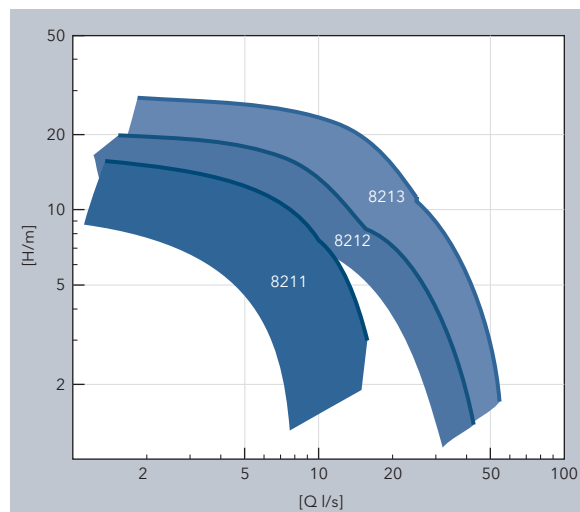
DS



A semi-permanent free standing installation. Transportable version with pipe or hose connection.

Performance

50 Hz



Reliable design for solid performance

Motor

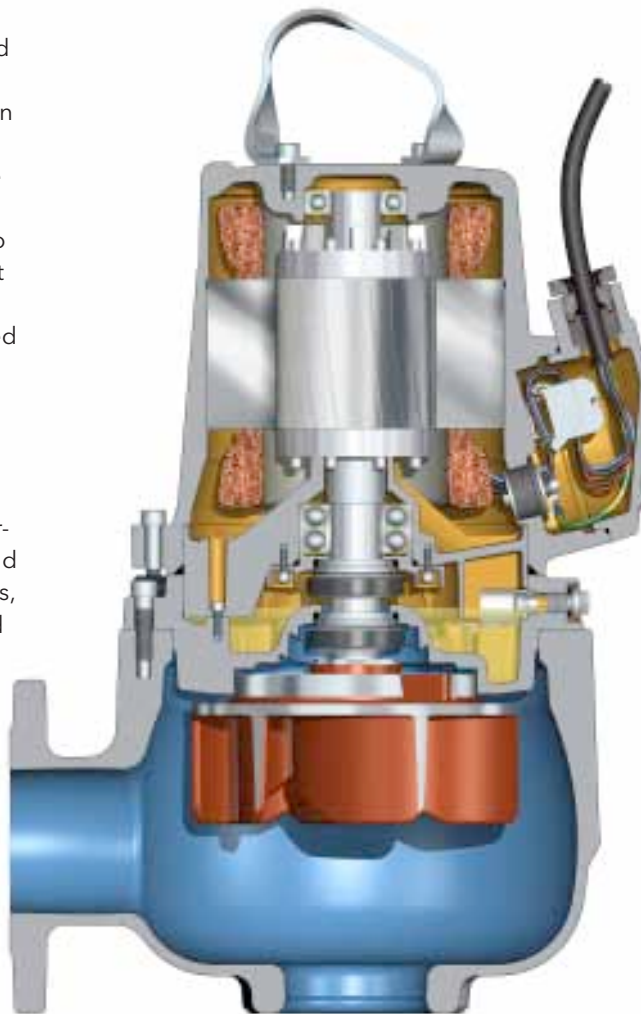
Our specially designed and manufactured squirrel-cage induction motor delivers outstanding performance in submersible and dry installations. It also provides superior heat transfer because heat losses are concentrated around the stator.

Compliance

Each pump is tested and approved in accordance with national and international standards, including IEC 34-1 and CSA.

Low shaft deflection

Short shaft overhang minimizes vibration, promotes quiet operation and prolongs seal and bearing life.



Cable entry

Water-resistant cable entry provides both sealing and strain relief functions to ensure a safe installation.

Sensors

Thermal sensors embedded in the stator windings prevent overheating.

Long-life bearings

Durable heavy-duty bearings are greased for life and provide a minimum service life of 50,000 hours.

Enduring seals

The sealing system consists of two sets of mechanical seals that operate independently to provide double security against leakage.

Power ratings and sizes

Model	8211	8212	8213
Rating, kW	1.5-2.4	2.4-4.2	4.5-7.4
Discharge, mm (in)	50 (2")	65 (2½")	80 (3")
	65 (2½")	100 (4")	100 (4")
Pressure characteristics	MT, HT	MT, HT	MT, HT
Motor, NEMA insulation class	Class F, 155°C (311°F)	Class H 180°C (355°F)	Class H 180°C (355°F)
Starts per hour	15	30	30

Xylem ['zīləm]

- 1) The tissue in plants that brings water upward from the roots
- 2) A leading global water technology company

We're 12,000 people unified in a common purpose: creating innovative solutions to meet our world's water needs. Developing new technologies that will improve the way water is used, conserved, and re-used in the future is central to our work. We move, treat, analyze, and return water to the environment, and we help people use water efficiently, in their homes, buildings, factories and farms. In more than 150 countries, we have strong, long-standing relationships with customers who know us for our powerful combination of leading product brands and applications expertise, backed by a legacy of innovation.

For more information on how Xylem can help you, go to xylem.com.



Flygt is a brand of Xylem. For the latest version of this document and more information about Flygt products visit www.flygt.com